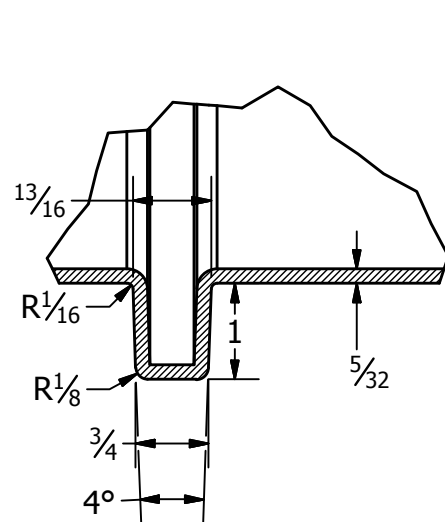
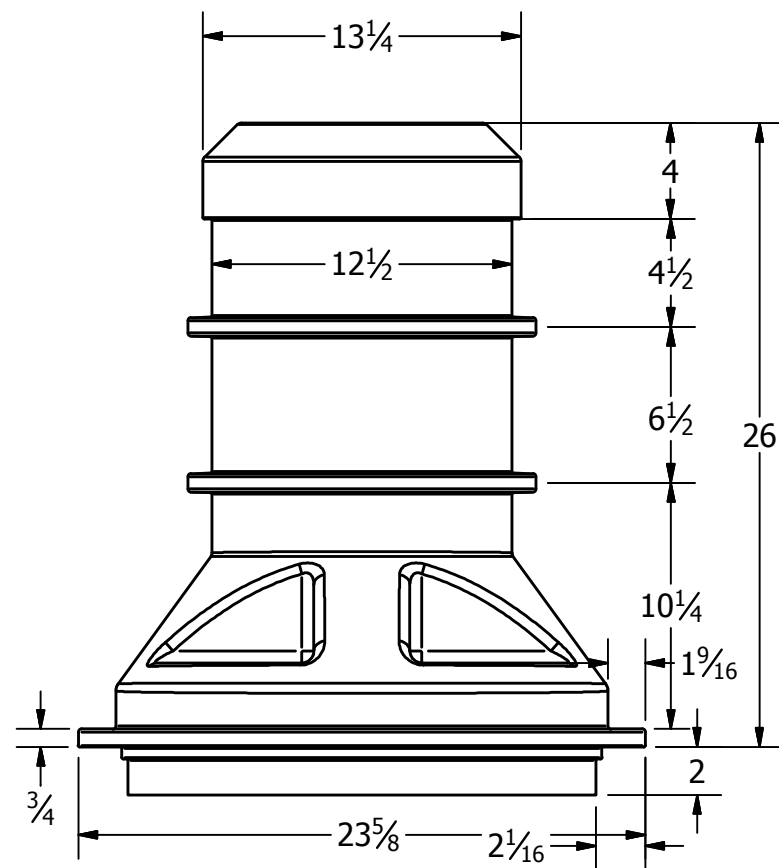
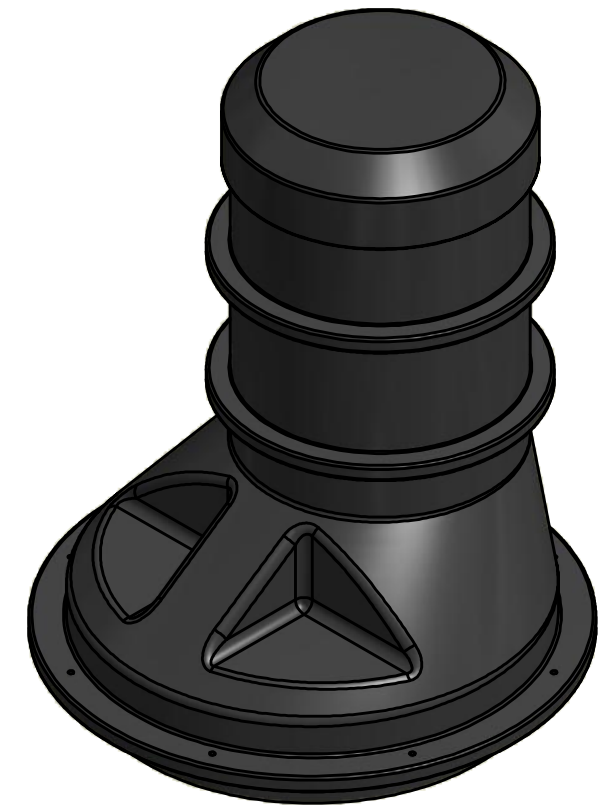
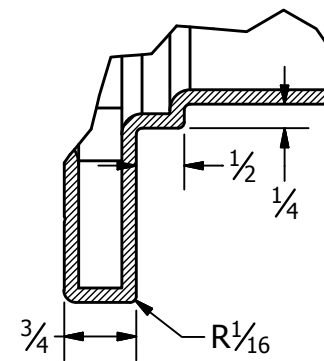



SECTION A-A
SCALE 1 / 8



DETAIL B
SCALE 1 / 2



DETAIL C
SCALE 1 / 2

DRAWN Todd Bolzer	5/10/2009			
CHECKED				
QA		TITLE		
MFG		12 INCH LOW PROFILE LID RISER OFFSET		
APPROVED		SIZE B	DWG NO 63831	REV D
		SCALE: 1/16	SHEET 1 OF 1	